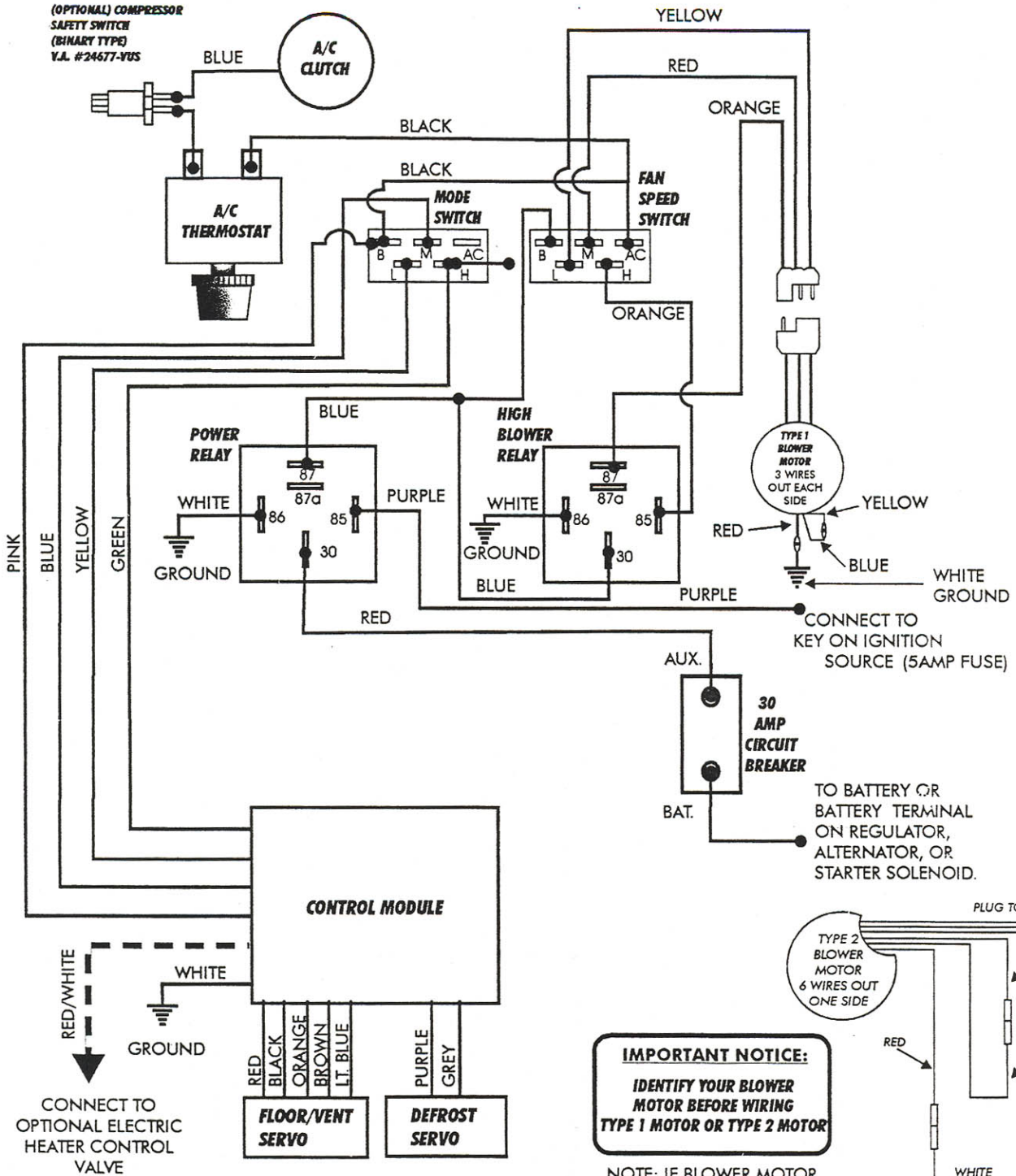


**WIRING DIAGRAM - GEN II UNITS**  
HEAT/COOL/DEFROST W/ 4 LEVER CONTROL

**CABLE OPERATED  
HEATER VALVE ONLY**



**IMPORTANT NOTICE:**  
IDENTIFY YOUR BLOWER MOTOR BEFORE WIRING TYPE 1 MOTOR OR TYPE 2 MOTOR

NOTE: IF BLOWER MOTOR IS WIRED INCORRECTLY, IT WILL TURN BACKWARDS OR NOT AT ALL.